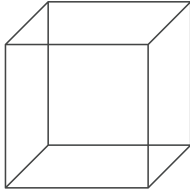
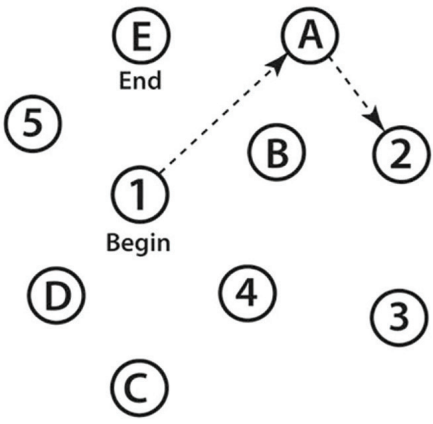


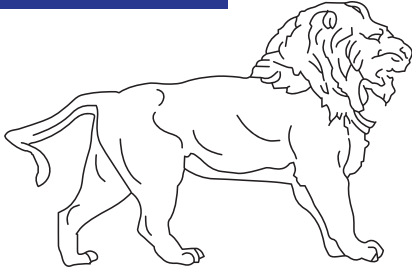
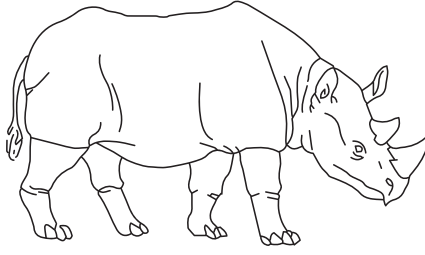
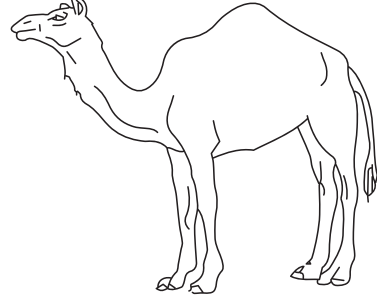
# MONTREAL COGNITIVE ASSESSMENT (MOCA®)

Version 8.1 English

Name:  
Education:  
Sex:

Date of birth:  
DATE:

VISUOSPATIAL/EXECUTIVE	 <p><b>Copy cube</b></p>	<p><b>Draw CLOCK ( Ten past eleven )</b> (3 points)</p>	POINTS
 <p>[ ] [ ] [ ]</p>	<p>[ ] [ ] [ ]</p> <p>Contour      Numbers      Hands</p>	<p>___/5</p>	

NAMING	 <p>[ ]</p>	 <p>[ ]</p>	 <p>[ ]</p>	<p>___/3</p>
--------	--	---	--	--------------

MEMORY	<p>Read list of words, subject must repeat them. Do 2 trials, even if 1st trial is successful. Do a recall after 5 minutes.</p>		FACE	VELVET	CHURCH	DAISY	RED	
		1 <sup>ST</sup> TRIAL						NO POINTS
		2 <sup>ND</sup> TRIAL						

ATTENTION	<p>Read list of digits (1 digit/ sec.).</p>	<p>Subject has to repeat them in the forward order. [ ] 2 1 8 5 4</p> <p>Subject has to repeat them in the backward order. [ ] 7 4 2</p>	<p>___/2</p>
-----------	---	--	--------------

	<p>Read list of letters. The subject must tap with his hand at each letter A. No points if ≥ 2 errors</p> <p style="text-align: center;">[ ] F B A C M N A A J K L B A F A K D E A A A J A M O F A A B</p>	<p>___/1</p>
--	--	--------------

<p>Serial 7 subtraction starting at 100.</p>	[ ] 93	[ ] 86	[ ] 79	[ ] 72	[ ] 65	
	<p>4 or 5 correct subtractions: <b>3 pts</b>,    2 or 3 correct: <b>2 pts</b>,    1 correct: <b>1 pt</b>,    0 correct: <b>0</b></p>					<p>___/3</p>

LANGUAGE	<p>Repeat: I only know that John is the one to help today. [ ]</p> <p>The cat always hid under the couch when dogs were in the room. [ ]</p>	<p>___/2</p>
----------	--	--------------

<p>Fluency: Name maximum number of words in one minute that begin with the letter F.</p>	<p>[ ] _____ (N ≥ 11 words)</p>	<p>___/1</p>
--	---------------------------------	--------------

ABSTRACTION	<p>Similarity between e.g. orange - banana = fruit [ ] train - bicycle [ ] watch - ruler</p>	<p>___/2</p>
-------------	--	--------------

DELAYED RECALL	(MIS)	<p>Has to recall words WITH NO CUE</p>	FACE	VELVET	CHURCH	DAISY	RED	<p>Points for UNCUED recall only</p>	
	X3		[ ]	[ ]	[ ]	[ ]	[ ]		
	X2	Category cue							
	X1	Multiple choice cue							MIS = ___/15

ORIENTATION	[ ] Date	[ ] Month	[ ] Year	[ ] Day	[ ] Place	[ ] City	
							<p>___/6</p>

© Z. Nasreddine MD

[www.mocatest.org](http://www.mocatest.org)

MIS: /15

(Normal ≥ 26/30)

Administered by: \_\_\_\_\_

Training and Certification are required to ensure accuracy

Add 1 point if ≤ 12 yr edu

TOTAL

\_\_\_/30